

RRC-Power-Cable-2pol-EU

AC cable with EU wall plug

P/N: 201496



Features:

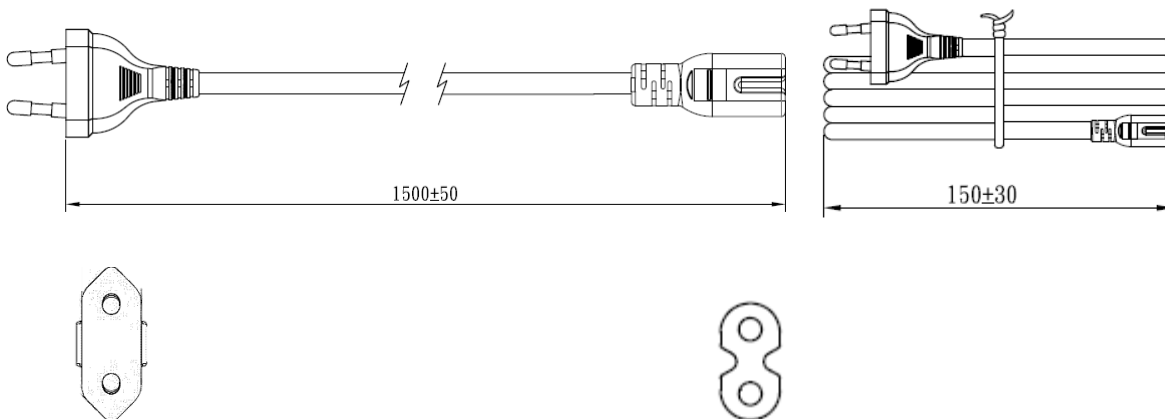
- Approved for Europe and Korea
- For the medical chargers RRC-SMB-UBC-M and RRC-SMB-MBC-M or chargers with a similar AC input or for mobile devices used in medical market

Specification

Scope			
Power cable conforming to	IEC 60884-1		
	EN 50075		
	EN 60320-1		
	EN 50525-2-11		

	Plug	Connector	Flexible cord
Type	CEE 7/16 (Type C)	IEC 60320-1 C7	H03VV H2-F 3G 2x 0.75mm ²
Rating	2.5A 250.00V	2.5A 250.00V	70°C 300.00V
Approved	IEC 60884-1 EN 50075	IEC 60320-1	EN 50525-2-11

General	
Length	1500mm
Colour	black



Germany/Headquarters

RRC power solutions GmbH
Technologiepark 1
66424 Homburg / Saar

Tel.: +49 6841 98090
Fax: +49 6841 9809280
Email: sales@rrc-ps.de
Web: www.rrc-ps.de

USA

RRC power solutions Inc.
18340 Yorba Linda Blvd.,
107-437 Yorba Linda,
CA 92886-4104

Tel.: +1 714 777 3604
Fax: +1 714 777 3658
Email: usa@rrc-ps.com
Web: www.rrc-ps.com

Hong Kong

RRC power solutions Ltd.
S-V,6/F, Valiant Industrial
Centre 2-12 Au Pui Wan Street
Fo Tan, N.T., Hong Kong

Tel.: +852 2376 0106
Fax: +852 2375 0107
Email: hkrrc@rrc-ps.cn
Web: www.rrc-ps.com

China

RRC power solutions Ltd.
Room 1306, C Building,
Tianan International building,
Renmin South Road, Luohu
District, Shenzhen 518021

Tel.: +86 755 8374 1908
Fax: +86 755 8374 1861
Email: hkrrc@rrc-ps.cn
Web: www.rrc-ps.com